


Compressor refrigeration Series

Hot & Cold Water Dispenser

Model: YLR2-5-X

(161T)	(16T)
(162T)	(16T/HL)
(163T)	(WDF-237)
(166T)	(16T/D)
(161L)	(16T/E)
(162L)	(16L)
(163L)	(16L/HL)
(166L)	(16L/D)
(204L)	(16L/E)
(280L)	(12L)
(WDF-R77T)	(28L/B)
(176T)	(176L)

 Electric household appliance must be equipped with three-hole socket and electrical leakage protection switch.

* If the supply cord is damaged, it must be replaced by a special cord or assembly available from the manufacturer or its service agent.

* If the customer needs a fixing connector, please assemble it as the attached assembling instructional map.

FEATURES

To ensure proper operation, please read this manual carefully.

The devices are compressor refrigeration series. It is low energy consumption Quick-refrigerating and low noise.

Providing hot & cold(Ice) Water.

Quality water systems, including hot water tank, heating tube and cold water tank, are made of imported stainless steel with food grades, high efficient, durable and up to national health standards.

Note:

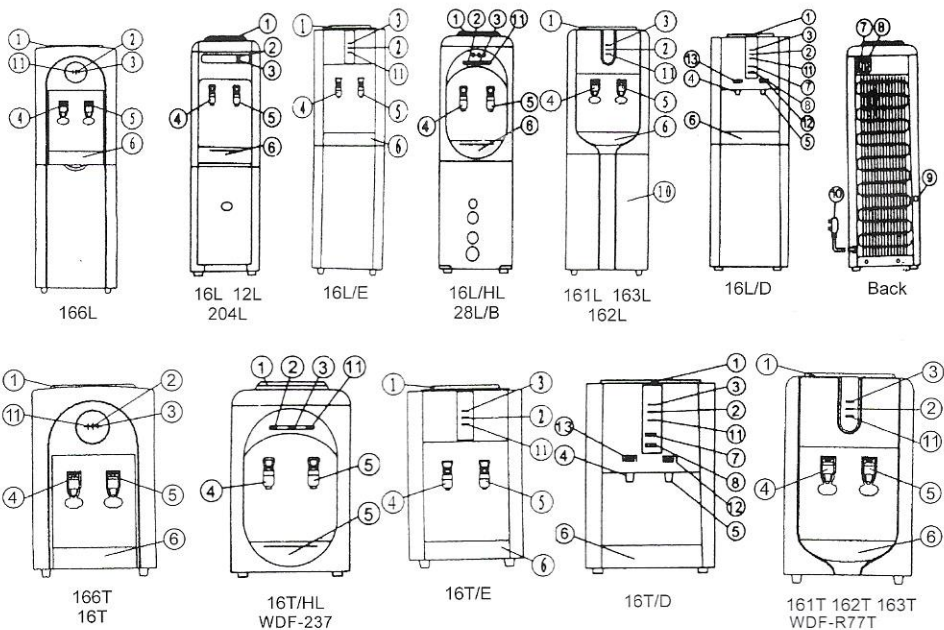
Do not connect the electrical power plug until water comes from the hot water tap.

Three-hole wall outlet is required. Protector of electrical leakage should be equipped on main circuit.

CAUTIONS AND MAINTENANCE

- ① Position the water dispenser out of direct sunlight and away from heat and excessively damp place, leave an adequate open space (10cm to 20cm) behind the water dispenser for good ventilation, Do not position the water dispenser close to expensive furniture or other electrical household appliances, as water spill can cause serious problems.
 - ② When carrying it, the angle of inclination should be less than 45°.
 - ③ Neither modify the power plug nor use an extensive cord, overheat or a fire could result.
 - ④ Do not start or stop the heating or refrigerating process by plugging or unplugging the power cord.
 - ⑤ Keep the water dispenser beyond the reach of children to avoid scald.
 - ⑥ Cleaning the water dispenser regularly with soft cloth. Do not wash the cabinet with water. Do not wash the cabinet with gas or chemical medication as it can damage the cabinet.
 - ⑦ This dispenser is suitable for pure water contained in large bottles. Using other direct drinkable water with lots of mineral may cause serious damage to the heating electrical sets.
- * If the supply cord is damaged, it must be replaced by the manufacture or its service agent or a similarly qualified person in order to avoid hazard.

STRUCTURE AND PARTNAMES



No.	Name	No.	Name	No.	Name
1	Water guard	6	Drain holder	11	Power indicator
2	Heating indicator	7	Cooling switch	12	Cold water keyswitch
3	Cooling indicator	8	Heating switch	13	Hot water keyswitch
4	Hot water tap	9	Water drain cock		
5	Cold water tap	10	Power cord		

BASIC OPERATION

- ① Tear off the hygienic label on the lid, insert the bottle into the intake vertically. Press the hot water tap until water flows out.
- ② Plug the power cord to the wall outlet. Switch the heating and refrigerating switches on, then the heating or refrigerating process starts to work.
- ③ If there is no water left in the bottle, pull up the empty bottle and replace another bottle.

TROUBLE SHOOTING

The following problems do not always indicate a hardware failure. Therefore, please use the troubleshooting guide below before calling for repair service.

Problems	Possible causes	Remedies
No water comes out from the tap.	1.No water available at the bottle. 2.Hygienic label jams the intake.	1.Place a bottle of water. 2.Take off the label.
Hot & cold water is not available.	1.Excessive use of hot water. 2.Water dispenser not plugged in outlet power off. 3.The refrigerating time is short.	1.Retry a few minutes later. 2.Plug the power cord. Switch on the heating switch. 3.wait for 2 hours when first refrigerating.
The noise is serious.	Water dispenser has not been set levelly.	Set the unit levelly.
Electrical leakage.	The grounding is not very well.	Three-hole wall outlet and protector of electrical leakage are required.
Water leaking.	Bottle broken.	Change a new bottle.

If you can not smooth over malfunction, you should call distribution.

PARAMETERS

Power	220-240V.50/60Hz	Fuse	10A 250V
TOTAL Power	612W	Power Consumption	1.5kW·h/24h
Heating Power	500W	Type of Protecting Electric Shock	I
Cooling Power	112W		
Hot Water Supply	5L/h($\geq 90^{\circ}\text{C}$)	Power Connecting Mode	X
cold water Supply	2L/h($\leq 10^{\circ}\text{C}$)	Climatic type	ST
Refrigerating pour	R134a/40g		
Model		Net.W(kg)	Dim(cm)
16T/HL. 16T. 161T. 162T. 163T.WDF-237		11	31X31X51
16T/D. 16T/E.166T.WDF-R77T		11	31X31X49
16L. 16L/HL. 16L/D, 16L/E		12.5	31X31X96
161L.162L.163L.166L		12.5	31X31X96
204L		13.5	31X37.5X100.5
12L 280L 28L/B		13.5	34X35X100